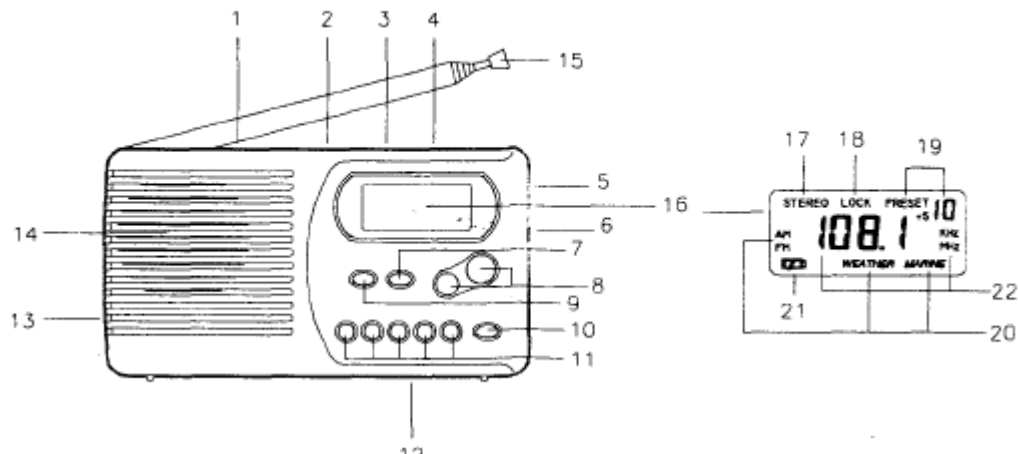


INSTRUCTION MANUAL



CONTROLS LOCATION

- | | | | |
|---------------------------|----------------------------|-------------------------|-----------------------------|
| 1. POWER ON/OFF | 7. BAND (AM/FM/TV) | 13. 3V DC JACK INPUT | 18. KEY LOCK INDICATOR |
| 2. KEYLOCK | 8. TUNING BUTTONS | 14. SPEAKER | 19. MEMORY INDICATOR |
| 3. FM MONO/STEREO | 9. MEMORY BUTTONS | 15. TELESCOPIC ANTENNA | 20. BAND INDICATOR |
| 4. EAR / SPEAKER SELECTOR | 10. '+5' BUTTON | 16. LCD DISPLAY | (AM/FM WEATHER/MARINE) |
| 5. PHONE JACK | 11. STATION PRESET BUTTONS | 17. FM STEREO INDICATOR | 21. LOW BATTERY INDICATOR |
| 6. VOLUME CONTROL | 12. BATTERY COMPARTMENT | | 22. RADIO FREQUENCY DISPLAY |

POWER SUPPLY

Side the Battery Compartment cover (12) at the back of the unit and insert two 'AA'(R6/UM3) dry cells. Take care that the calls are oriented for correct polarity.

- Do not mix old and new batteries.
- Do not mix alkaine, standard (Carbon-zinc) or rechargeable (nickelcadmium) batteries.
- If the low Battery Indicator (21) appear on the LCD Display (16) and flashing during operation, the batteries should be replaced.

EXTERNAL AC ADAPTOR (NOT INCLUDED)

This unit can be powered by an AC outlet. Be careful to use an AC adapter which is correctly matched to the radio. The radio requires a DC input of 3V (300mA or more). This AC Adapter can be purchased separately.

OPERATION

1. Set the power ON/OFF switch (1) to 'ON' position.
2. Select the AM, FM, Weather or Marine bands by pressing the Band Button (7). The AM, FM, Weather and Marine bands are cycle selected each time when the Band Button (7) is pressed.
3. Set the EAR/SPK switch (4) to 'EAR' or 'SPK' position as desire. Insert the headphone plug into the Phone Jack (5) if EAR position is selected.
4. Press the Tuning Button (8)
 - Higher frequency (AM/FM band) or Weather/Marine channel (Weather/Marine band) can be selected by pressing the 'UP' button and lower frequency or Weather/Marine channel by 'DOWN' button. - In AM or FM band mode, pressing either UP or Down button for more than 1 seconds activates the automatic tuning mode and stops automatically when a broadcasting band is just searched. * Using the '+' or '-' button to adjust the best reception frequency of the broadcasting if necessary
 - The automatic tuning will continue to scan a specific band even after the search reaches either of the band edges (max. frequency or min frequency) Once the search reaches max. frequency, it will return to min. frequency and continue to search upwards. Press the Tuning Button (8) again to select the desired band.
5. Adjust the Volume Control (6) to the desired level.
6. Set the FM MONO/STEREO switch (3) at your choice. In case FM band being selected and listening with earphone.

PRESET TUNING

Once the desired broadcasting stations, Weather or Marine channels are stored in the Preset Buttons (11). They can easily be recalled AM/FM station up to 10 can be stored in memory at each and 5 each Weather/Marine channel as well

Setting station frequency, Weather or Marine channel into the memory by preset buttons perform the following in sequence. Tune in a desired station frequency or select a Weather/Marine channel according to the normal tuning procedure. Then press the "MEMO" button (9). Memory Indicator (19) will appear on the Display (16) and blinks. Store the desired frequency or Weather/Marine channel 1 to 5 on Preset Buttons (11), store AM/FM channel 6 to 10 on pressing '+5' Button (10) and then pressing Preset Buttons (11). The memory indicator light goes off 15 seconds later

Calling the stored frequencies or Weather/Marine channels 1 -5 by pressing 1 to 5 Preset Button (11) and 6 - 10 (AM/FM) by pressing '+5' Button (10) and then pressing 1 -5 Preset Button (11).

MEMORY BACKUP OF STORED STATIONS

Once the batteries are low, the Low Battery Indicator (21) will appear on the LCD Display (16) and flashing. Switch the On/Off switch (1) to Off position, then you have 1 minute to change the new batteries.

CAUTION

If the batteries have been removed for more than 1 minute, you may need to reprogram the radio station. -

KEY LOCK -

When the 'KEY LOCK' switch (2) set to the lock position, all the buttons will be inhibited. The 'KEY LOCK' Indicator (18) will appear on the Display (16). To release the key lock function by set the 'KEY LOCK' switch to the un-lock position.

NOTES

- When listening to FM programs or Weather, Marine channels, to insure maximum tuner sensitivity, keep the Telescopic Antenna (15) to a maximum length. - Try to determine the Telescopic Antenna (15) position which provides the best sensitivity.
- The AM Band has a built-in ferrite bar antenna. You may find you can improve AM reception by rotating the set or bringing it closer to a window.

SPECIFICATION

Frequency Range	Europe * AM 522 - 1629 kHz / 9kHz step FM 87.3 - 108.1 MHz / 50kHz step Weather Channel 00 - 09 Marine Channel 01 - 28, 37, 39 60 - 74, 77 - 88
USA	AM 520 - 1720 kHz / 10kHz step FM 87.3 - 108.1 MHz / 100kHz step Weather Channel 00 - 09 Marine Channel 01 - 28 60 - 74, 77 - 88
Antenna	AM - Ferrite Bar Antenna FM/Weather/Marine - Telescopic Rod Antenna
10% THD	Earphone 15mW + 15mW
Output Power	Speaker 80mW
Battery	3VDC (1.5V x 2) *AA*/R6/UM3
Accessory	Stereo Dynamic Headphones (1 Pair)

Specification and product designs are subject to change without notice

WEATHER CHANNEL FREQUENCY CHART			
Channel	MHz		
00	163.275		
01	162.550		162.450
02	162.400		162.500
03	162.475		162.525
04	162.425		161.650
			161.775
WEATHER CHANNEL FREQUENCY CHART		MARINE CHANNEL FREQUENCY CHART	
Channel	MHz	Channel	MHz
01	160.650	60	160.625
02	160.700	61	160.675
03	160.750	62	160.725
04	160.800	63	160.775
05	160.850	64	160.825
06	156.300	65	160.875
07	160.950	66	160.925
08	156.400	67	156.375
09	156.450	68	156.425
10	156.500	69	156.475
	156.550	70	156.525
12	156.600	71	156.575
13	156.650	72	156.625
14	156.700	73	156.675
15	156.750	74	156.725
16	156.800		
	156.850	77	156.875
17	161.500	78	161.525
	550	79	161.575
19	161.600		161.625
20	161.650	01	161.675
21		82	161.725
22	161.700	83	161.775
23	161.750		
24	161.800	84	161.825
25	161.850	85	161.875
26	161.900	86	161.925
27		87	161.975
28	162.000	88	162.025
	162		
37	157.850		
39	157.950		
Channel	MHz	Channel	MHz
01	156.050	60	156.025
02	156.100	61	156.075
03	156.150	62	156.125
04	156.200	63	156.175
05	156.250	64	156.225
06	156.300	65	156.275
07	156.350	66	156.325
08	156.400	67	156.375
09	156.450	68	156.425
10	156.500	69	156.475
11	156.550	70	156.525
12	156.600	71	156.575
13	156.650	72	156.625
14	156.700	73	156.675
15	156.750	74	156.725
16	156.800		
17	156.850	77	156.875
18	156.900	78	156.925
19		79	156.975
20	157.950	80	157.025
21	1570	81	157.075
		82	157.125
		83	157.175
24	157.150	84	161.825
	161.800	85	875
25	161.850	86	161.925
26	161.900	87	161.975
	161	88	157.425
28	162.000		